

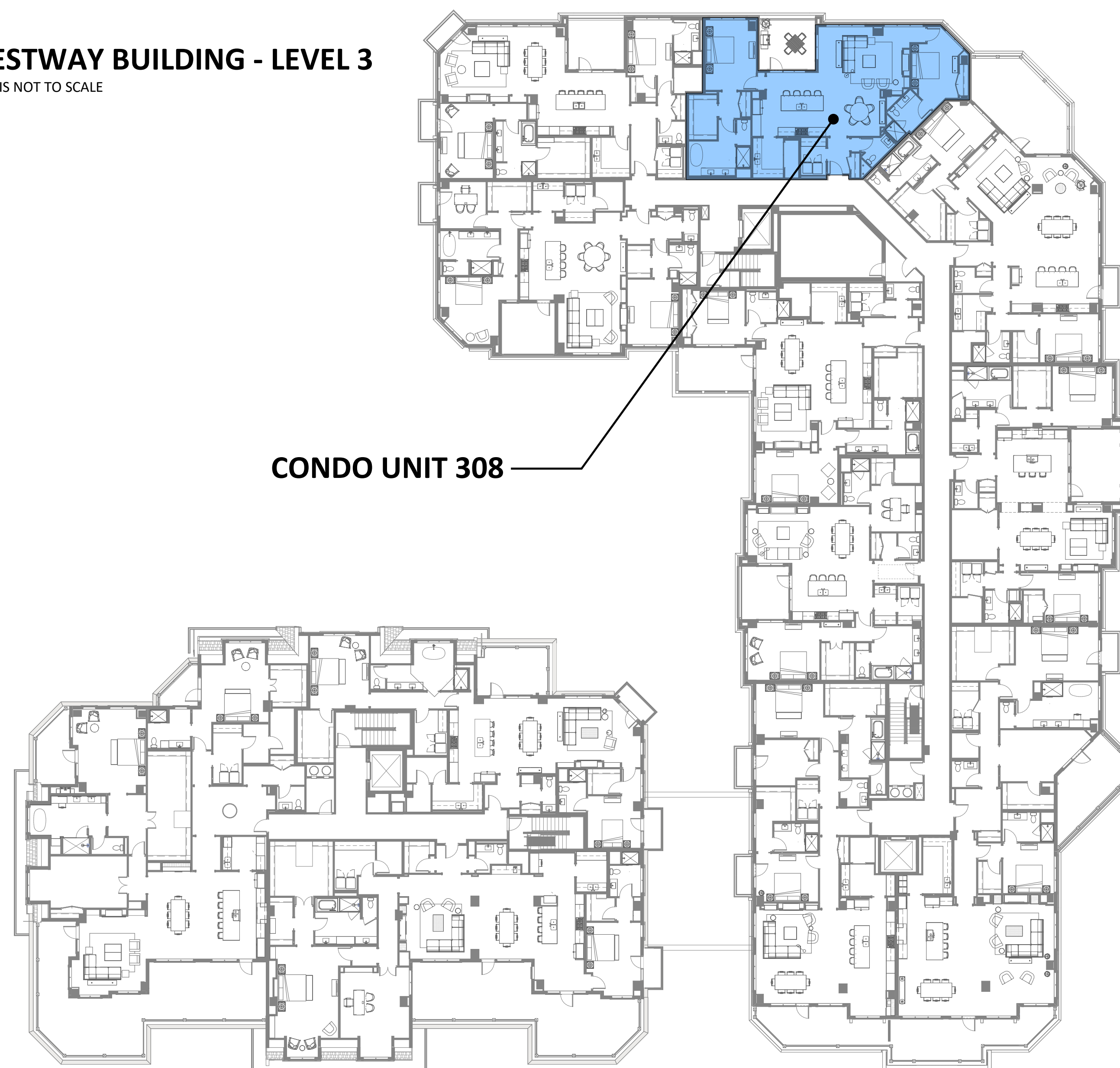
# Westway Condominiums - Dwelling Unit 308

WESTWAY  
CONDOMINIUMS  
201 LAKE STREET EAST  
WAYZATA, MINNESOTA

**esg**  
ARCHITECTURE & DESIGN  
350 North 5th Street, Suite 400  
Minneapolis, MN 55401  
p 612.339.5508 | esgarch.com

## CONDOMINIUM UNIT LOCATION REFERENCE PLAN

WESTWAY BUILDING - LEVEL 3  
PLAN IS NOT TO SCALE



## DRAWING INDEX

DRAWING NO.	DRAWING NAME
308-T1	TITLE PAGE, GENERAL PROJECT INFORMATION
308-A1	FLOOR PLAN AND REFLECTED CEILING PLAN
308-A2	POWER/TECHNOLOGY COORDINATION AND FINISH PLANS
308-A3	INTERIOR ELEVATIONS

## PROJECT TEAM

<b>DEVELOPER:</b>	LNR CONSTRUCTION LLC 319 BARRY AVENUE SOUTH SUITE 301 WAYZATA, MN 55391 CONTACT: ---
<b>OWNER'S REP:</b>	MARCO MCLANE --- CONTACT: --- PH: ---
<b>CONTRACTOR:</b>	TBD --- CONTACT: --- PH: 952-607-4658
<b>ARCHITECT:</b>	ESG ARCHITECTURE & DESIGN 350 NORTH 5TH STREET, SUITE 400 MINNEAPOLIS, MN 55401 CONTACT: TERRY GRUENHAGEN PH: 612-373-4656
<b>MEP ENGINEERS:</b>	EMANUELSON - PODAS, INC. 7705 BUSH LAKE ROAD EDINA, MN 55439 PH: 952-930-0050
<b>STRUCTURAL ENGINEER:</b>	MEYER BORGMAN JOHNSON 510 S MARQUETTE AVE, SUITE 900 MINNEAPOLIS, MN 55402 PH: 612-338-0713
<b>ACOUSTICAL CONSULTANT:</b>	WESTSIDE ACOUSTICS 801 S. GRAND AVE, SUITE 1020 LOS ANGELES, CA 90017 PH: 213-282-9800

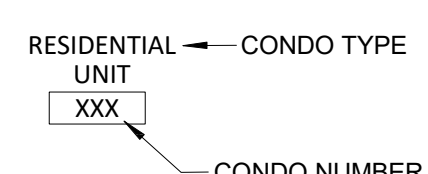
ISSUED FOR  
PRICING

ORIGINAL ISSUE:  
DATE

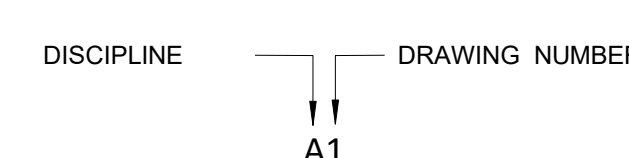
REVISIONS:  
No. Description Date

## GENERAL SYMBOLS AND IDENTIFICATION METHODS

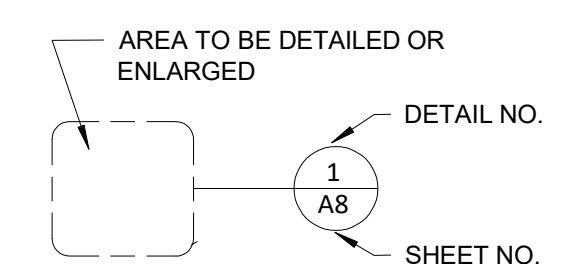
### CONDO UNIT/NUMBER IDENTIFICATION



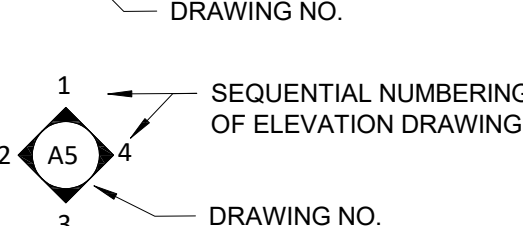
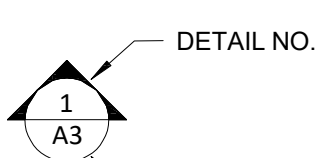
### DRAWING NUMBERING



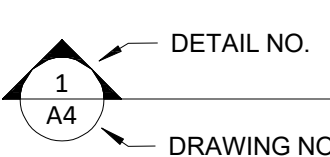
### DETAIL REFERENCE



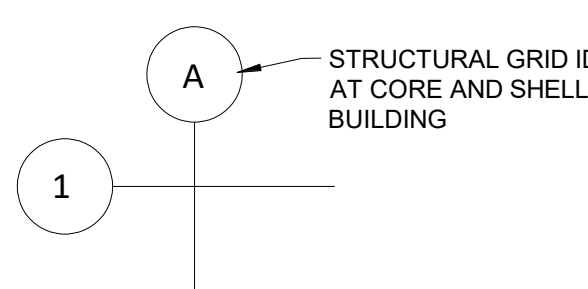
### ELEVATION REFERENCE



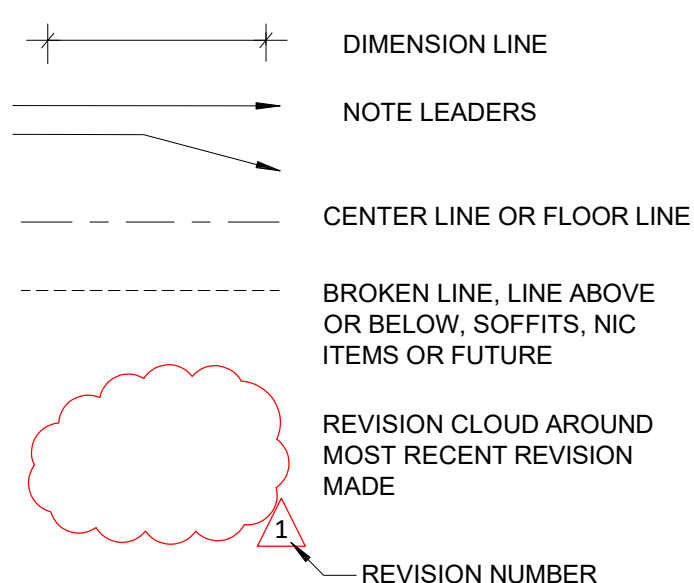
### SECTION REFERENCE



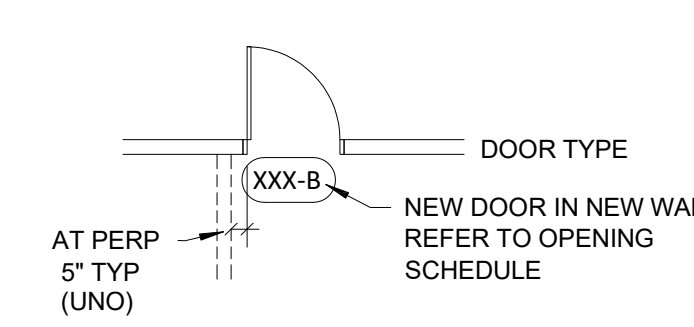
### COLUMN GRID DESIGNATORS



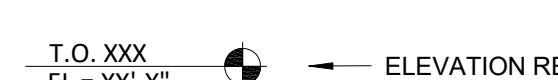
### LINE TYPE IDENTIFICATION



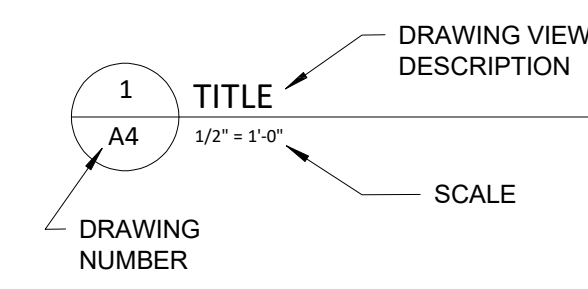
### DOOR OPENING IDENTIFICATION



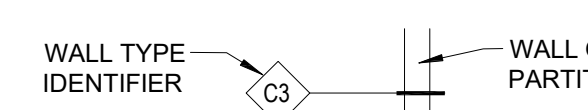
### ELEVATION SYMBOLS



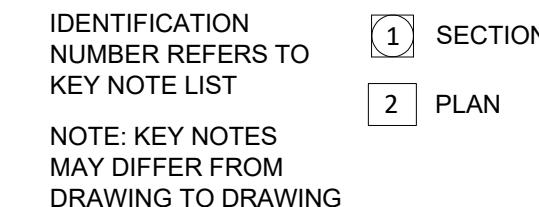
### DRAWING VIEW IDENTIFIER



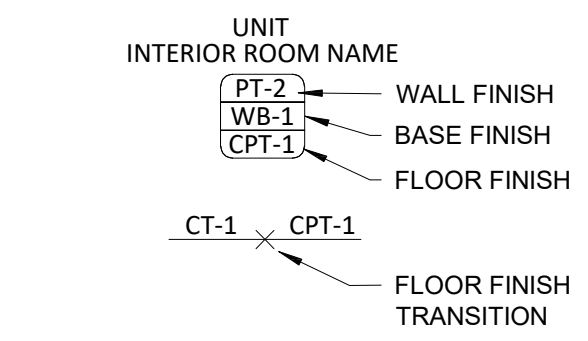
### WALL TYPE SYMBOL



### KEY NOTE SYMBOL



### INTERIOR FINISH TAGS



## SCOPE AND PERMITTING INFORMATION

THIS SET OF CONSTRUCTION DOCUMENTS IS FOR DWELLING UNIT 114 ONLY WHICH IS BEING SOLD AS A RESIDENTIAL CONDOMINIUM WITHIN THE WESTWAY BUILDING.

THE INTERIOR CONSTRUCTION FOR THIS UNIT SHALL BE PERMITTED SOLELY FOR THIS PURPOSE WITH THE CITY OF WAYZATA.

INTERIOR CONSTRUCTION SCOPE SHALL COMMENCE ONLY WHEN THE CORE AND SHELL CONSTRUCTION IN AND AROUND THIS UNIT IS DEEMED COMPLETE BY THE DEVELOPER AND THE ARCHITECT.

### CODE COMPLIANCE INFORMATION:

THIS DWELLING UNIT WILL BE OWNER OCCUPIED AND IS LOCATED WITHIN THE WESTWAY BUILDING. THE CORE AND SHELL CONSTRUCTION FOR THE WESTWAY BUILDING HAS BEEN PERMITTED SEPARATELY - REFER TO PERMIT #XXXX AT THE CITY OF WAYZATA.

THE CORE AND SHELL BUILDING IS PRIMARILY AN R-2 OCCUPANCY. THE CONSTRUCTION TYPE IS II-B. THE BUILDING IS FULLY SPRINKLERED AND THIS DWELLING UNIT SHALL ALSO BE FULLY SPRINKLERED.

ALL CONSTRUCTION WITHIN THE UNIT SHALL COMPLY WITH THE TYPE II-B REQUIREMENTS OF THE CURRENT STATE BUILDING CODE. THE APPLICABLE CODES ARE AS FOLLOWS:

- 2020 MINNESOTA STATE BUILDING CODE (REFERENCES THE 2018 IBC)
- 2020 MINNESOTA STATE FIRE CODE (REFERENCES THE 2018 IFC)
- THE MINNESOTA STATE ELECTRICAL CODE WHICH HAS ADOPTED THE 2023 NATIONAL ELECTRICAL CODE (NEC)

2024-1134  
PROJECT NUMBER

AJ, JW, TG TG  
DRAWN BY CHECKED BY

WESTWAY CONDOMINIUMS

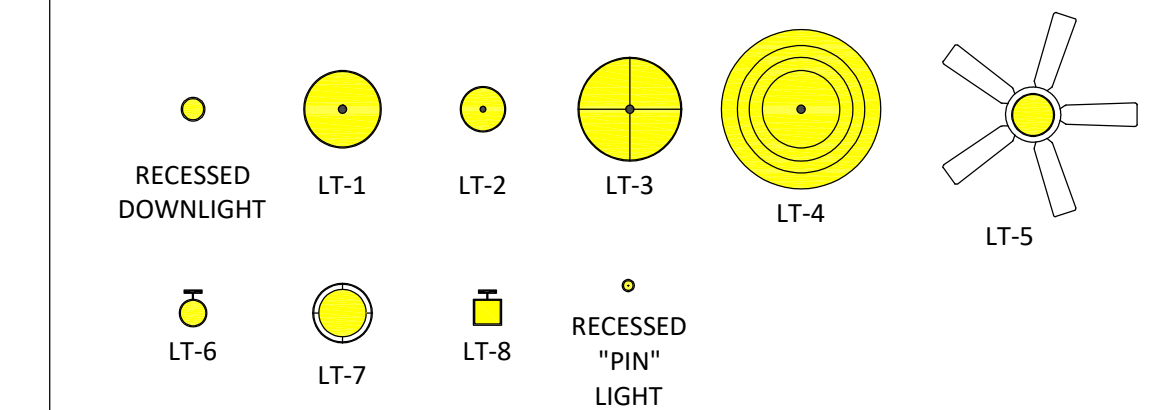
GENERAL INFORMATION

**308-T1**

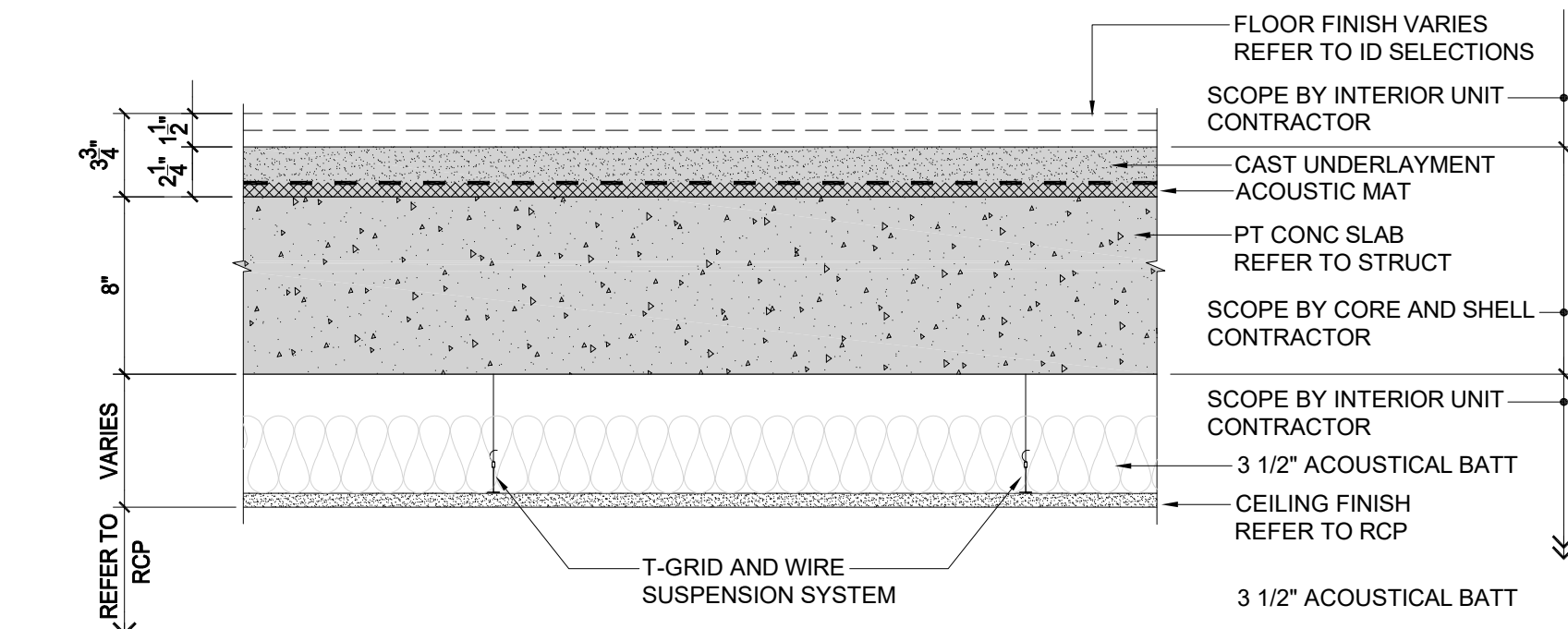


**SYMBOL LEGEND - REFLECTED CEILING PLAN**

LIGHTING SYMBOLS (REF. TO UNIT LIGHTING SCHEDULE AND ELECT. DOCUMENTS)

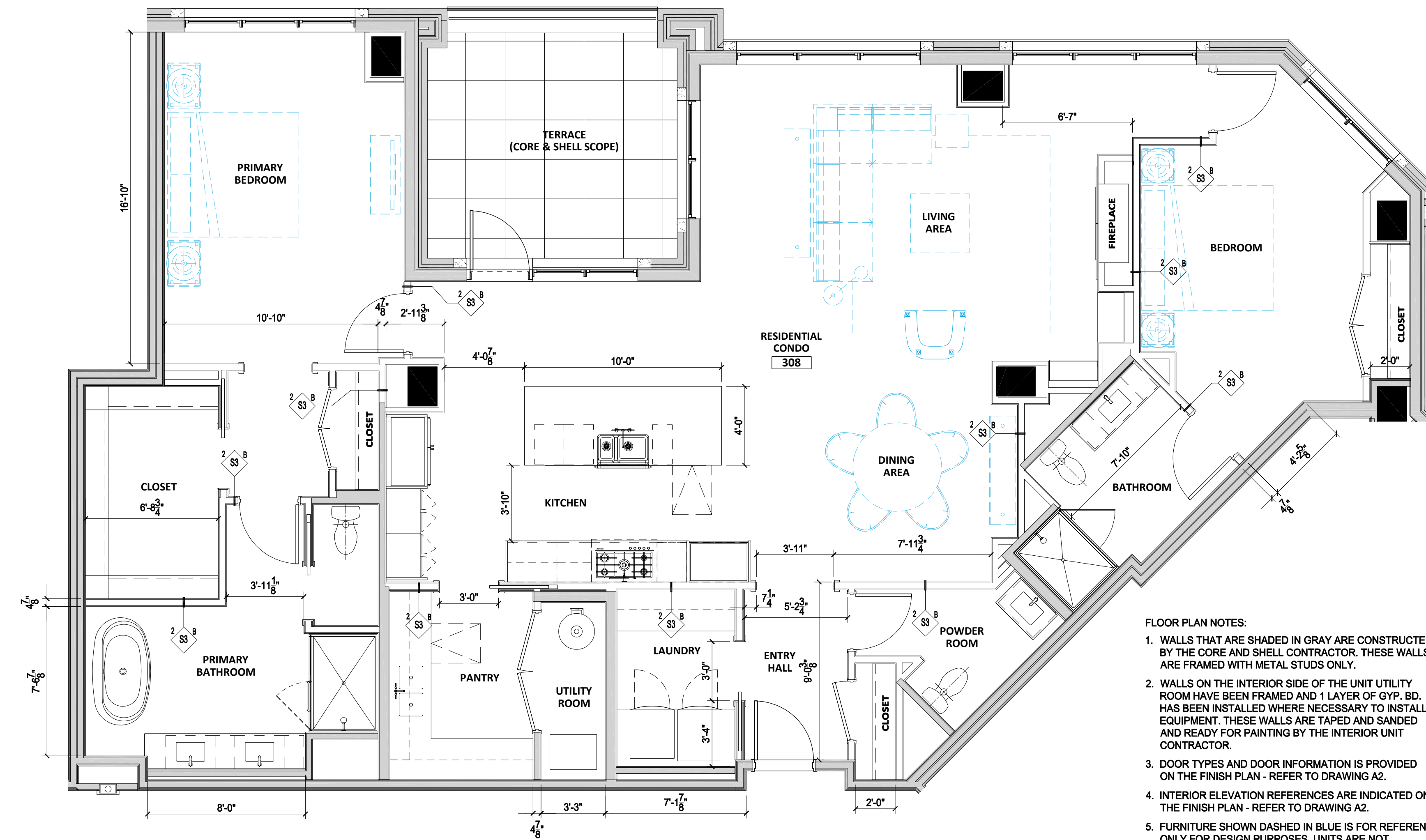


HVAC SYMBOLS (REF. TO HVAC PLANS)



**3 SCOPE CLARIFICATION DETAIL AT FLOOR/CEILING ASSEMBLY**  
1-1/2" = 1'-0"

**2 CONDO UNIT 308 - REFLECTED CEILING PLAN**  
1/4" = 1'-0"



**FLOOR PLAN NOTES:**

1. WALLS THAT ARE SHADED IN GRAY ARE CONSTRUCTED BY THE CORE AND SHELL CONTRACTOR. THESE WALLS ARE FRAMED WITH METAL STUDS ONLY.
2. WALLS ON THE INTERIOR SIDE OF THE UNIT UTILITY ROOM HAVE BEEN FRAMED AND 1 LAYER OF GYP. BD. HAS BEEN INSTALLED WHERE NECESSARY TO INSTALL EQUIPMENT. THESE WALLS ARE TAPED AND SANDED AND READY FOR PAINTING BY THE INTERIOR UNIT CONTRACTOR.
3. DOOR TYPES AND DOOR INFORMATION IS PROVIDED ON THE FINISH PLAN - REFER TO DRAWING A2.
4. INTERIOR ELEVATION REFERENCES ARE INDICATED ON THE FINISH PLAN - REFER TO DRAWING A2.
5. FURNITURE SHOWN DASHED IN BLUE IS FOR REFERENCE ONLY FOR DESIGN PURPOSES. UNITS ARE NOT FURNISHED.

**1 CONDO UNIT 308 - FLOOR PLAN**  
1/4" = 1'-0"

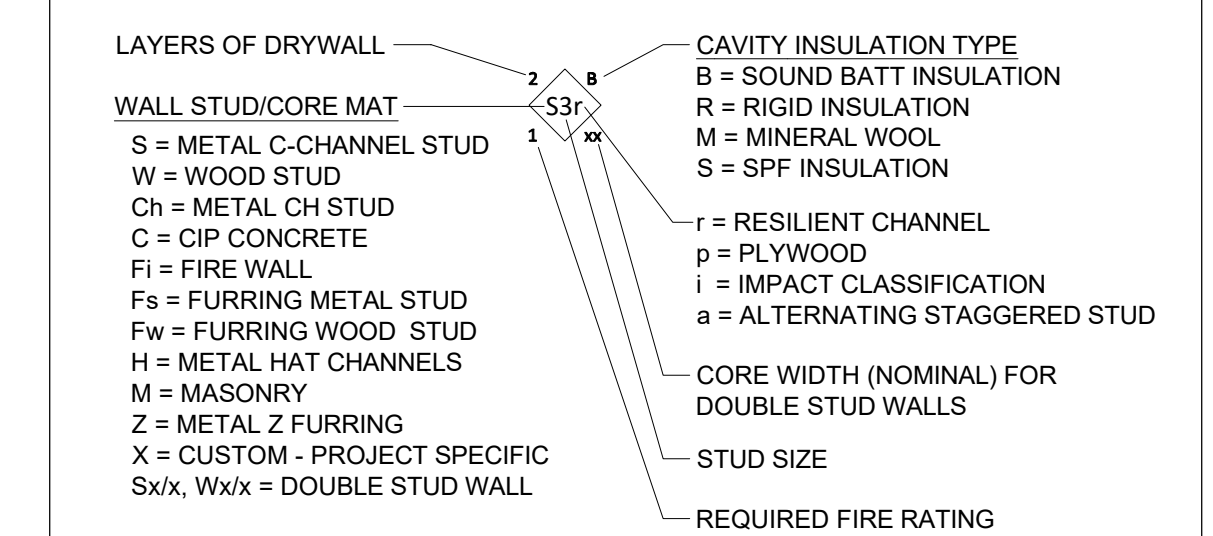
**GENERAL NOTES - FLOOR PLANS**

1. PLAN DIMENSIONING STANDARDS ARE AS FOLLOWS UNLESS NOTED OTHERWISE:
  - A. INTERIOR WALLS ARE DIMENSIONED TO THE OUTER FACE OF GYP. BD.
  - B. DOOR OPENINGS ARE DIMENSIONED TO THE CENTER OF THE DOOR OPENING. REFER TO THE DOOR SCHEDULE FOR SIZES - CONSTRUCT THE ROUGH OPENING BASED ON FRAME TYPE AND FRAME MANUFACTURER'S INSTALLATION DETAILS.
  - C. PLUMBING FIXTURES ARE DIMENSIONED TO THE CENTERLINE OF THE FIXTURE.
  - D. CABINETS AND MILLWORK ARE DIMENSIONED TO THE FINISHED SURFACES.
  - E. WALLS AT SHOWERS AND BATHTUBS ARE DIMENSIONED TO THE OUTSIDE SURFACE OF THE TILE BACKER BOARD.
  - F. LIGHT FIXTURES AND OTHER ELECTRICAL DEVICES ARE DIMENSIONED TO THE CENTER OF THE DEVICE UNLESS NOTED OTHERWISE.
2. PROVIDE SOUND BATT INSULATION TO THE FULL DEPTH OF THE STUD CAVITY AT ALL BATHROOM, BEDROOM, UTILITY ROOM, LAUNDRY ROOM LOCATIONS.
3. PROVIDE WOOD BLOCKING OR STEEL STRAP BACKING ON ALL INSIDE WALLS OF SHOWERS FOR POSSIBLE INSTALLATION OF GRAB BARS WHICH MAY BE SELECTED BY THE BUYER.
4. MECHANICAL GRILLES AND DIFFUSERS SHALL BE PAINTED TO MATCH THE WALL OR CEILING FINISH UNLESS NOTED OTHERWISE.
5. ELECTRICAL PANELS WITHIN ALL UNITS TO BE MOUNTED AT 48" AFF MAX.

**INTERIOR UNIT WALL TYPE DESCRIPTIONS**

1/2 S3	3-5/8" METAL STUD (1) LAYER GYP BD EACH SIDE BATT INSULATION	ALL INTERIOR WALL FRAMING SHALL BE BUILT USING METAL STUDS IN COMPLIANCE WITH THE CONSTRUCTION TYPE (TYPE II-B).
2 S3	3-5/8" METAL STUD (1) LAYER GYP BD EACH SIDE BATT INSULATION	
1/2 S6	6" METAL STUD (1) LAYER GYP BD EACH SIDE BATT INSULATION	
1/2 S8	8" METAL STUD (1) LAYER GYP BD EACH SIDE BATT INSULATION	
1/2 F1	1-5/8" METAL STUD (1) LAYER GYP BOARD BATT INSULATION	
1/2 F2	2-1/2" METAL STUD (1) LAYER GYP BOARD BATT INSULATION	
1/2 F3	3-5/8" METAL STUD (1) LAYER GYP BOARD BATT INSULATION	

**LEGEND - INTERIOR WALL TAG**



ISSUED FOR  
PRICING

ORIGINAL ISSUE:  
DATE

REVISIONS:  
No. Description Date

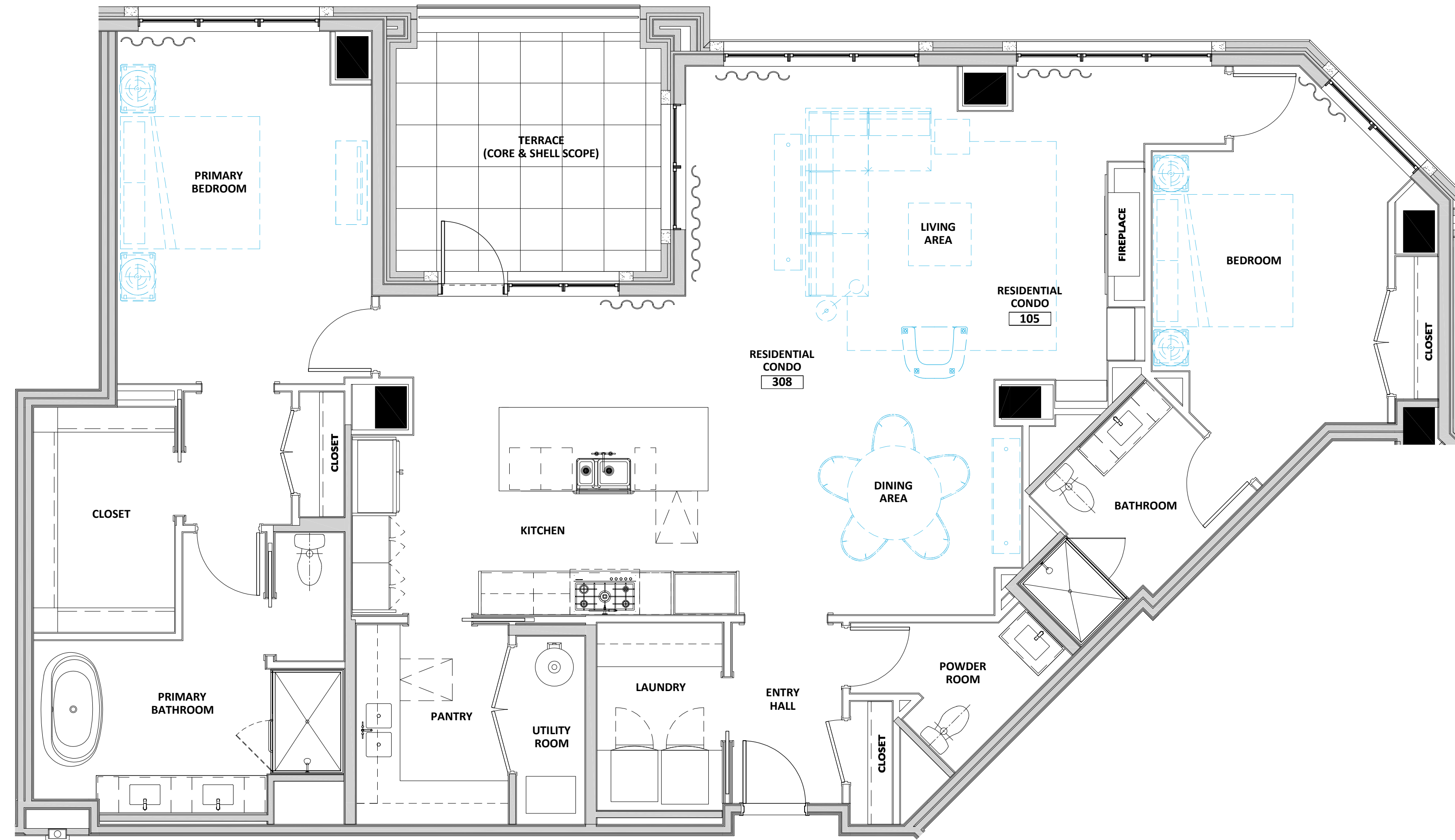
2024-1134  
PROJECT NUMBER

AJ, JW, TG TG  
DRAWN BY CHECKED BY

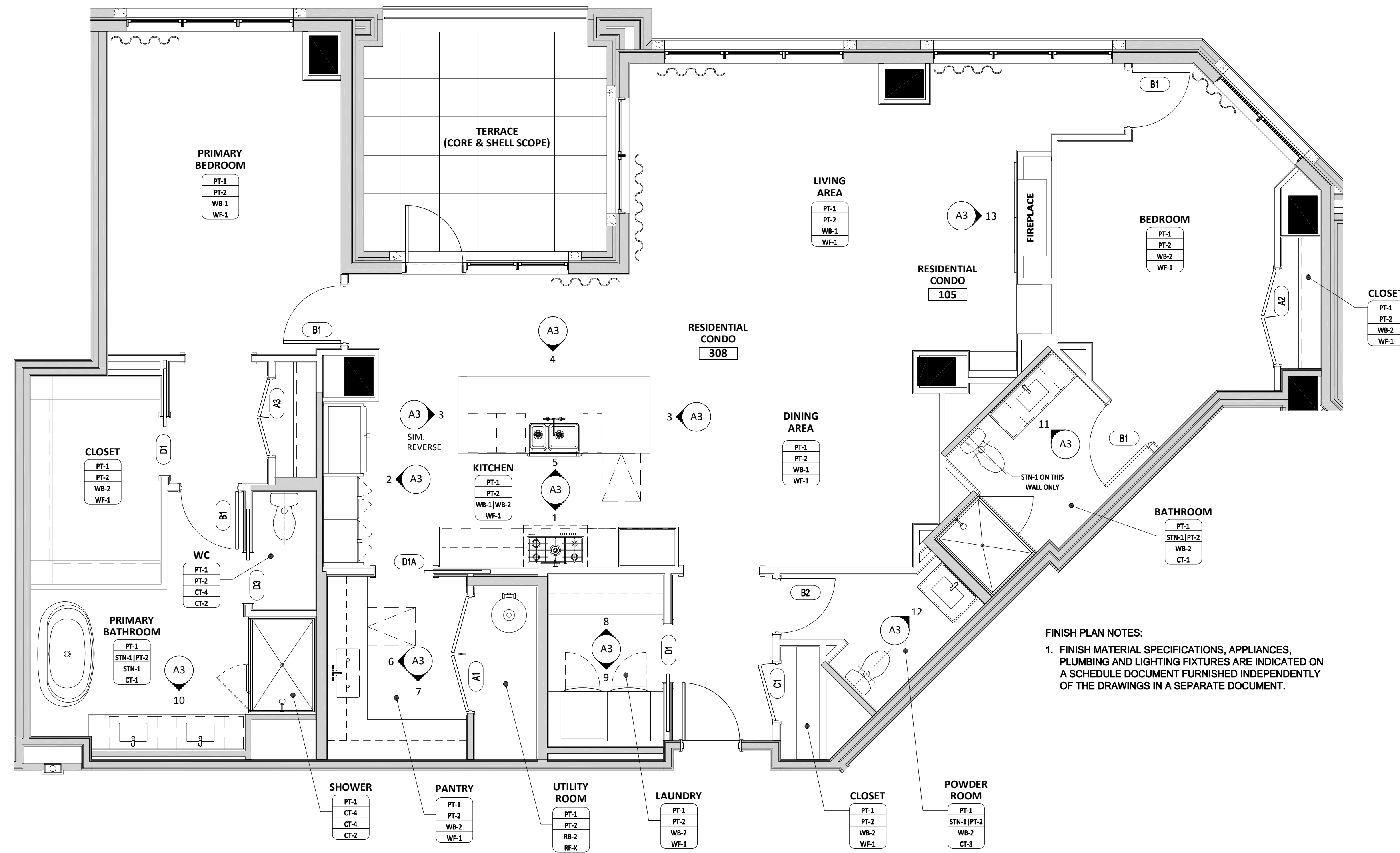
WESTWAY CONDOMINIUMS

FLOOR PLAN AND  
REFLECTED CEILING PLAN

**308-A1**



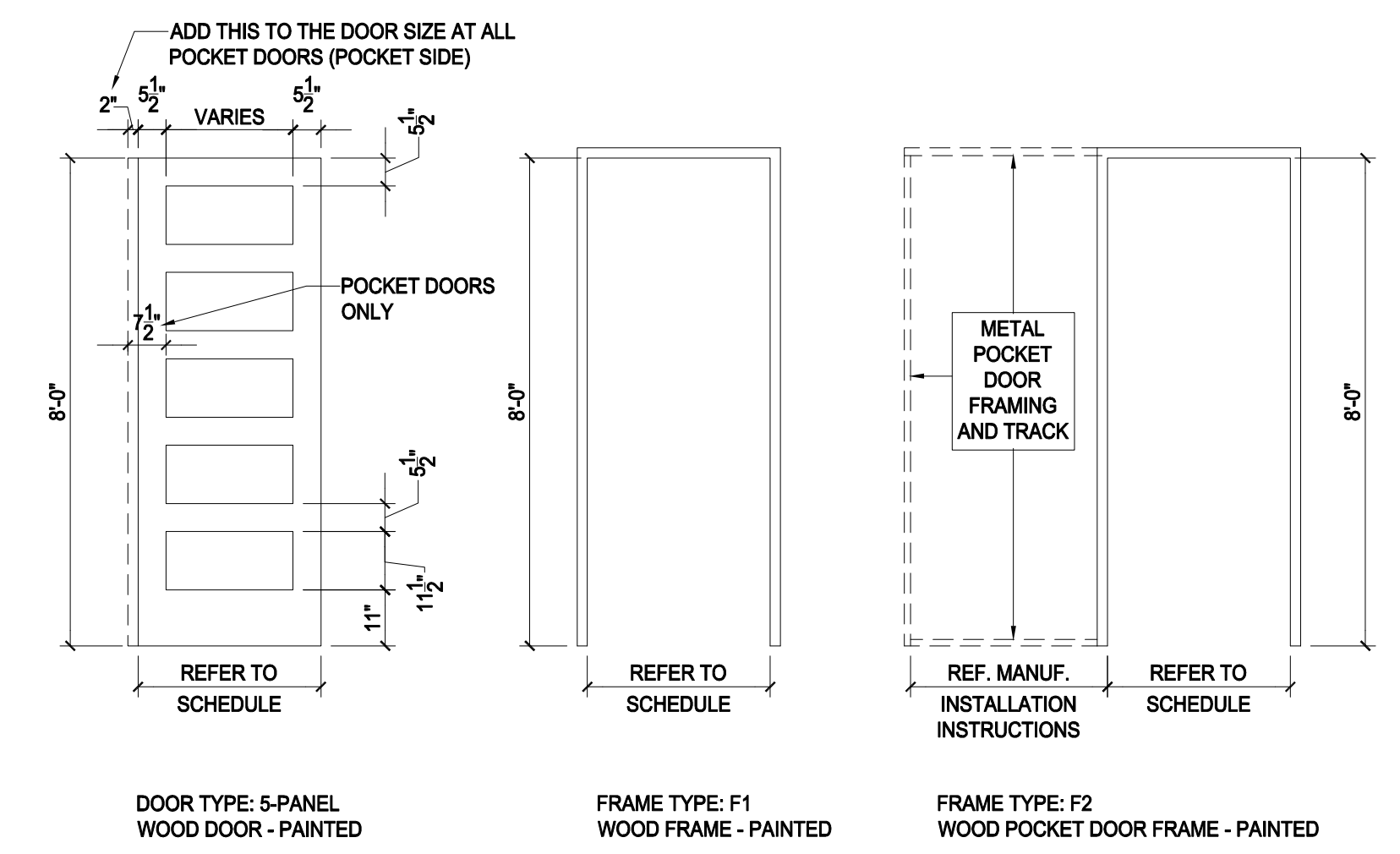
**2 CONDO UNIT 308 - POWER/TECHNOLOGY COORDINATION PLAN**  
308-A2 1/4" = 1'-0" 0 2' 4' 8'



**FINISH PLAN NOTES:**  
1. FINISH MATERIAL SPECIFICATIONS, APPLIANCES, PLUMBING AND LIGHTING FIXTURES ARE INDICATED ON A SCHEDULE DOCUMENT FURNISHED INDEPENDENTLY OF THE DRAWINGS IN A SEPARATE DOCUMENT.

**1 CONDO UNIT 308 - FINISH PLAN**  
308-A2 1/4" = 1'-0" 0 2' 4' 8'

DOOR AND OPENING SCHEDULE														
UNIT NO.	DOOR NO.	ROOM NAME OR DOOR USE	DOOR					FRAME				GLAZING/HDRWR	COMMENTS	
			WIDTH	HT	THK	TYPE	MATL	FIN	TYPE	MATL	FIN			
308	A1	UTILITY ROOM (PAIR)	6'-0" PAIR	8'-0"	1 3/4"	5-PANEL	WD	PT	F1	WD	PT	--	--	-
308	A2	CLOSET (PAIR)	5'-0" PAIR	8'-0"	1 3/4"	5-PANEL	WD	PT	F1	WD	PT	--	--	-
308	A3	CLOSET (PAIR)	4'-0" PAIR	8'-0"	1 3/4"	5-PANEL	WD	PT	F1	WD	PT	--	--	-
308	B1	PRIVACY DOOR	3'-0"	8'-0"	1 3/4"	5-PANEL	WD	PT	F1	WD	PT	--	--	LOCKABLE
308	B2	PRIVACY DOOR	2'-10"	8'-0"	1 3/4"	5-PANEL	WD	PT	F1	WD	PT	--	--	LOCKABLE
308	C1	PASSAGE DOOR	3'-0"	8'-0"	1 3/4"	5-PANEL	WD	PT	F1	WD	PT	--	--	NO LOCK
308	D1	POCKET DOOR	3'-0"	8'-0"	1 3/4"	5-PANEL	WD	PT	F2	WD	PT	--	--	NO LOCK
308	D1A	POCKET DOOR	3'-0"	7'-6"	1 3/4"	5-PANEL	WD	PT	F2	WD	PT	--	--	NO LOCK
308	D3	POCKET DOOR	2'-8"	8'-0"	1 3/4"	5-PANEL	WD	PT	F2	WD	PT	--	--	NO LOCK



FINISH PLAN LEGEND	
Ceiling Fin	ROOM FINISH TAG (INDICATES TYPICAL FINISHES IN ROOM)
Wall Fin	
Base Fin	
Floor Fin	
PF-1	ACCENT WALL FINISH TAG
CT x CPT	FLOOR TRANSITION TAG
FINISH	FLOOR FINISH DIRECTION TAG (ARROWS INDICATE PATTERN DIRECTION)

ISSUED FOR PRICING

ORIGINAL ISSUE:  
DATE

REVISIONS:  
No. Description Date

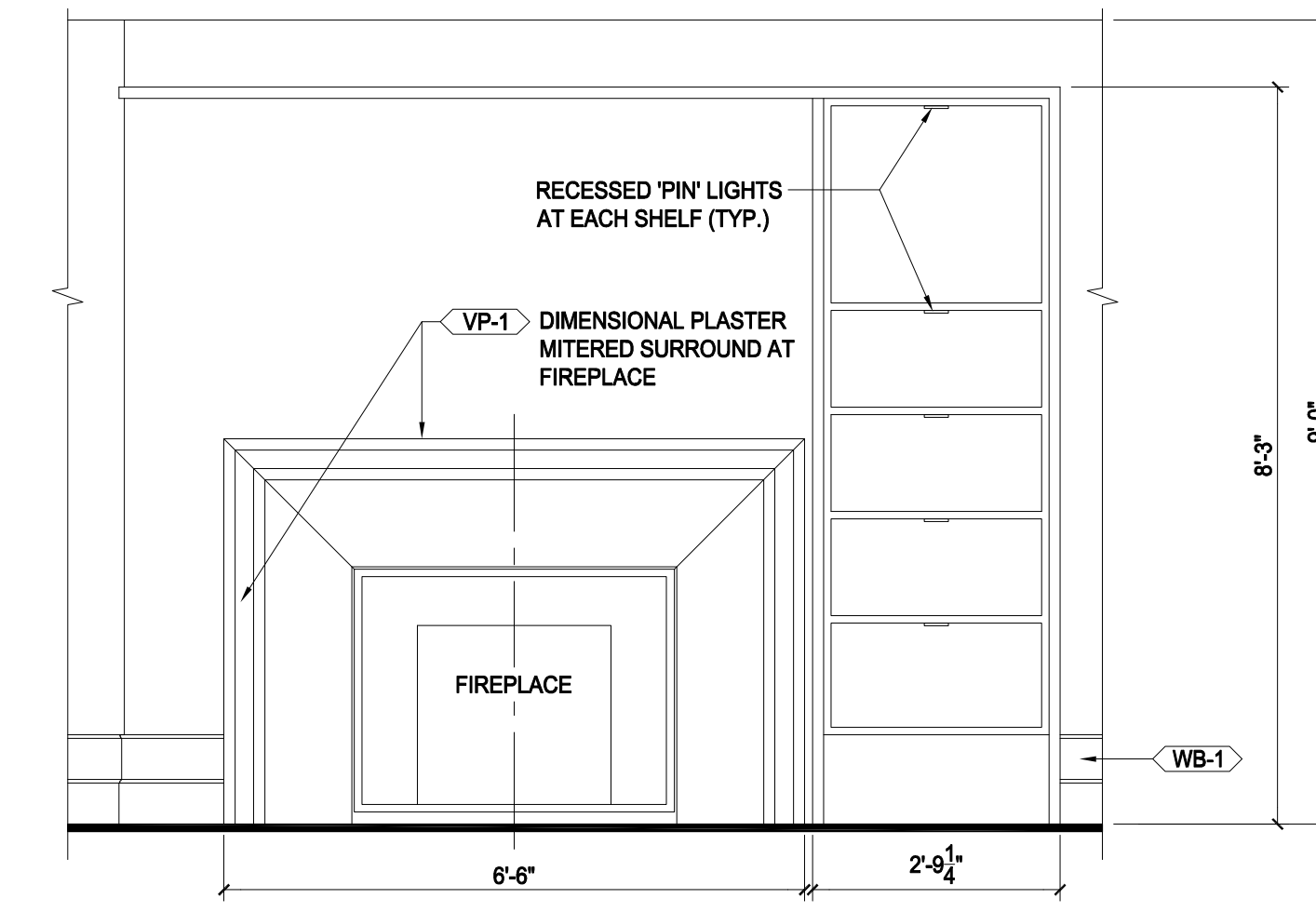
2024-1134  
PROJECT NUMBER

AJ, JW, TG TG  
DRAWN BY CHECKED BY

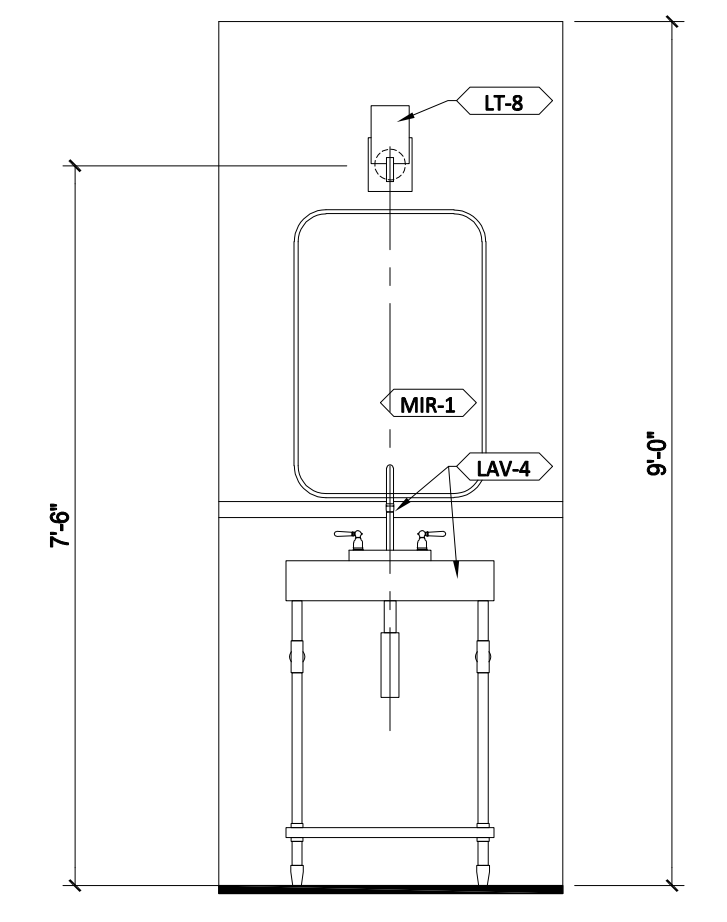
WESTWAY CONDOMINIUMS

FINISH PLAN AND  
POWER/TECHNOLOGY PLAN

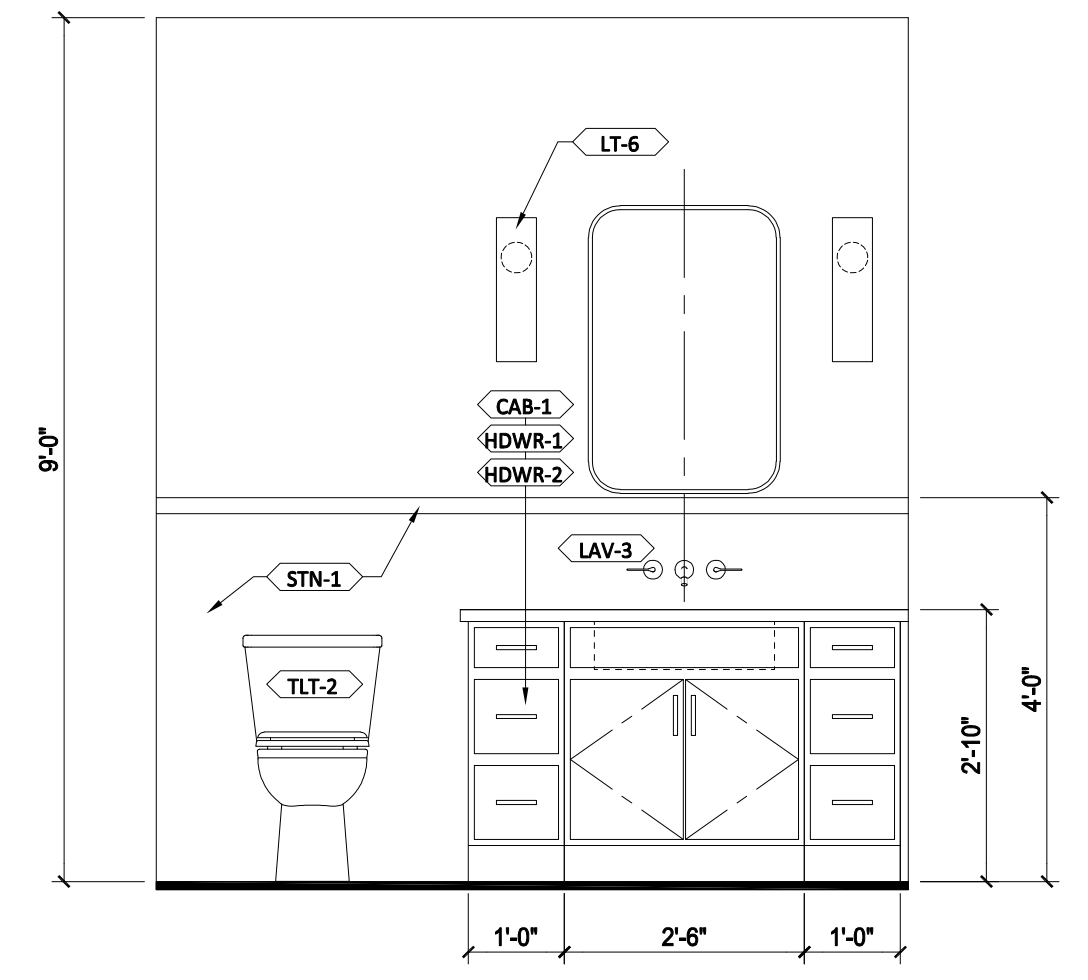
**308-A2**



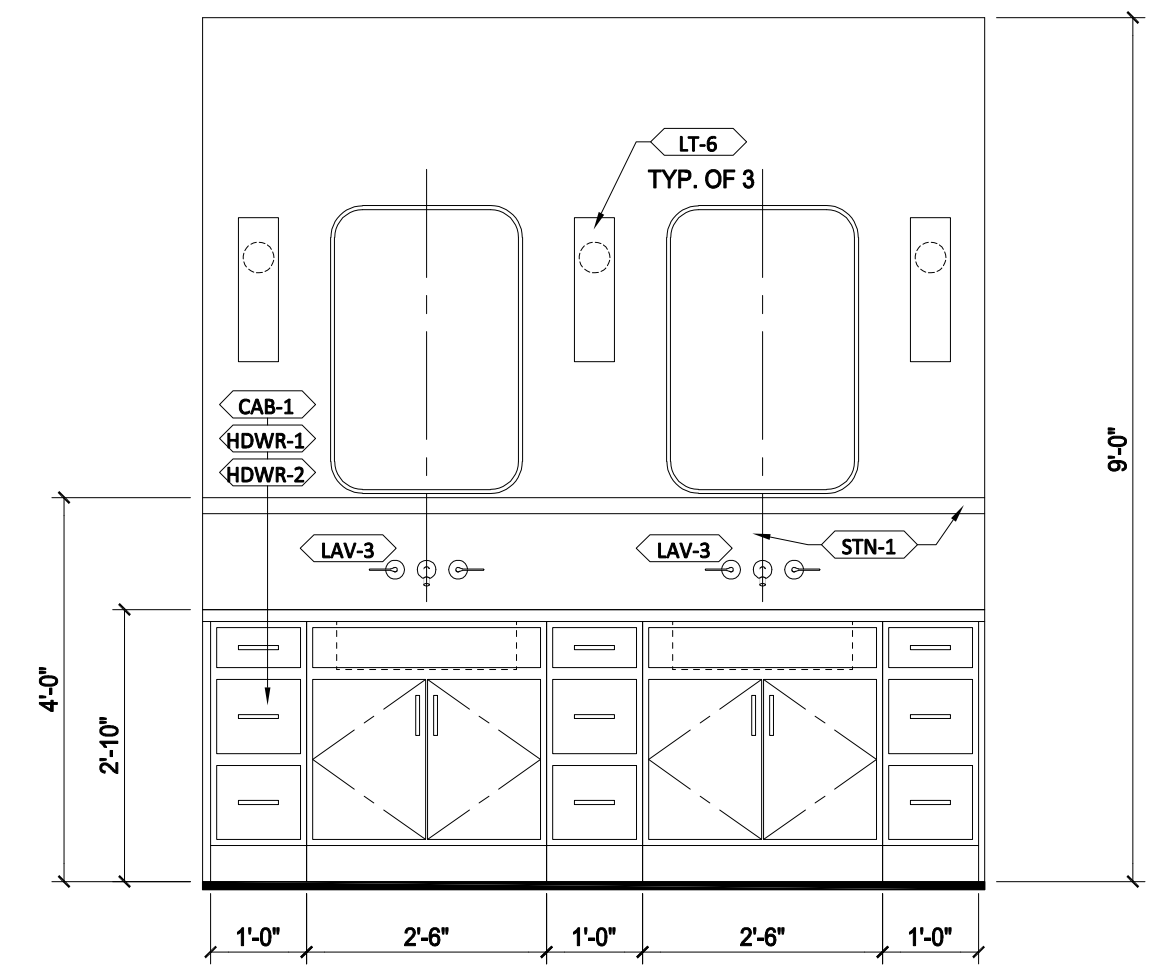
13 LIVING ROOM FIREPLACE ELEVATION - UNIT 308  
308-A3 1/2" = 1'-0"



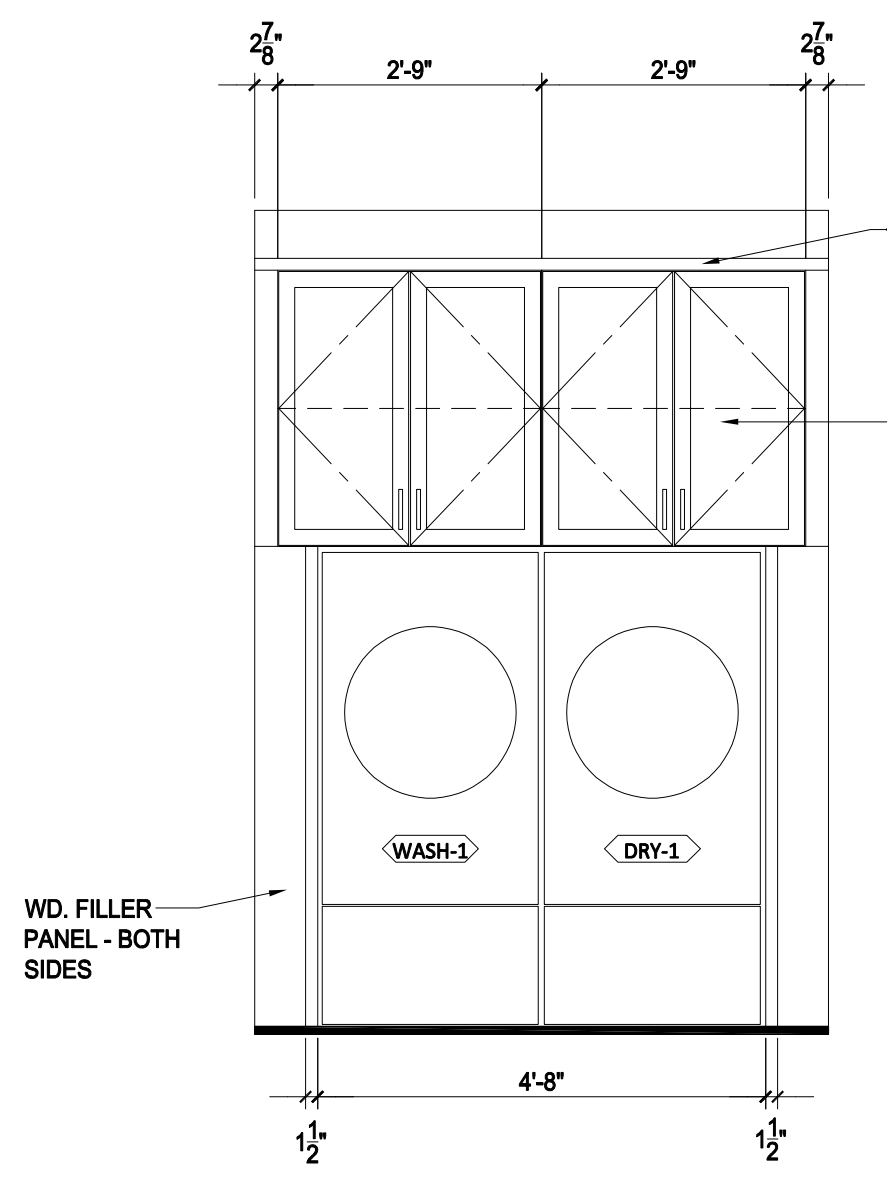
12 POWDER ROOM ELEVATION - UNIT 308  
308-A3 1/2" = 1'-0"



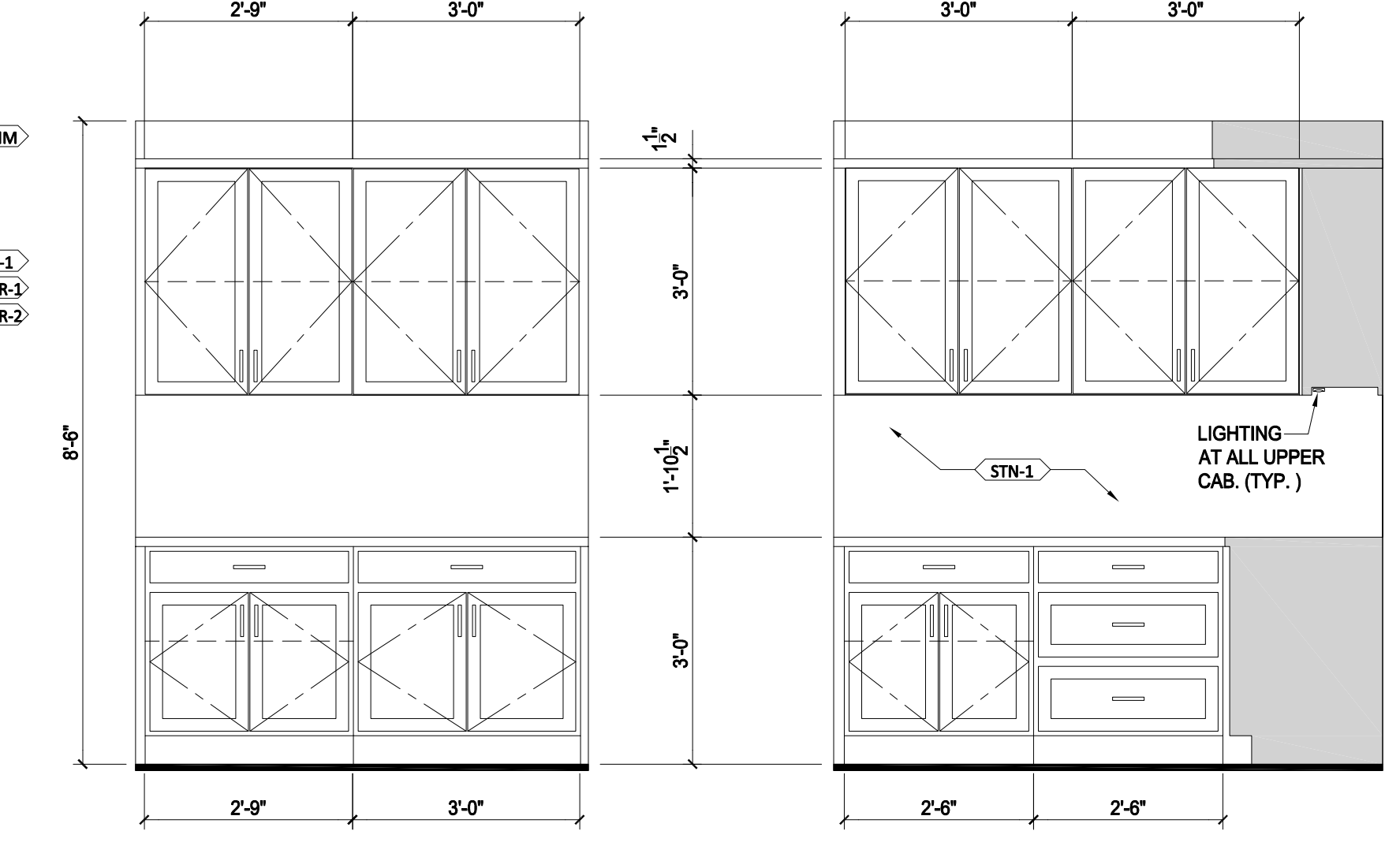
11 BATHROOM ELEVATION - UNIT 308  
308-A3 1/2" = 1'-0"



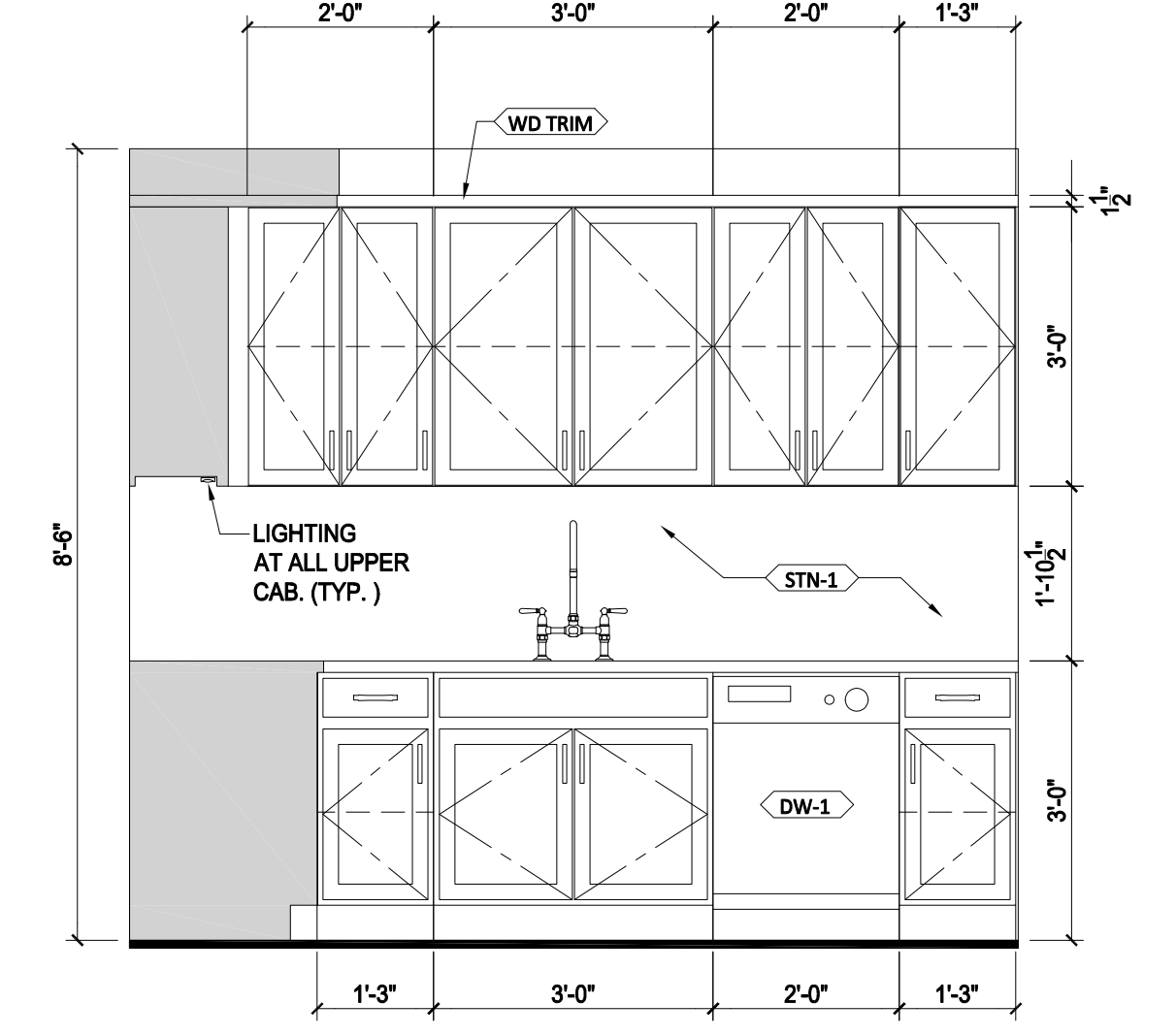
10 PRIMARY BATHROOM ELEVATION - UNIT 308  
308-A3 1/2" = 1'-0"



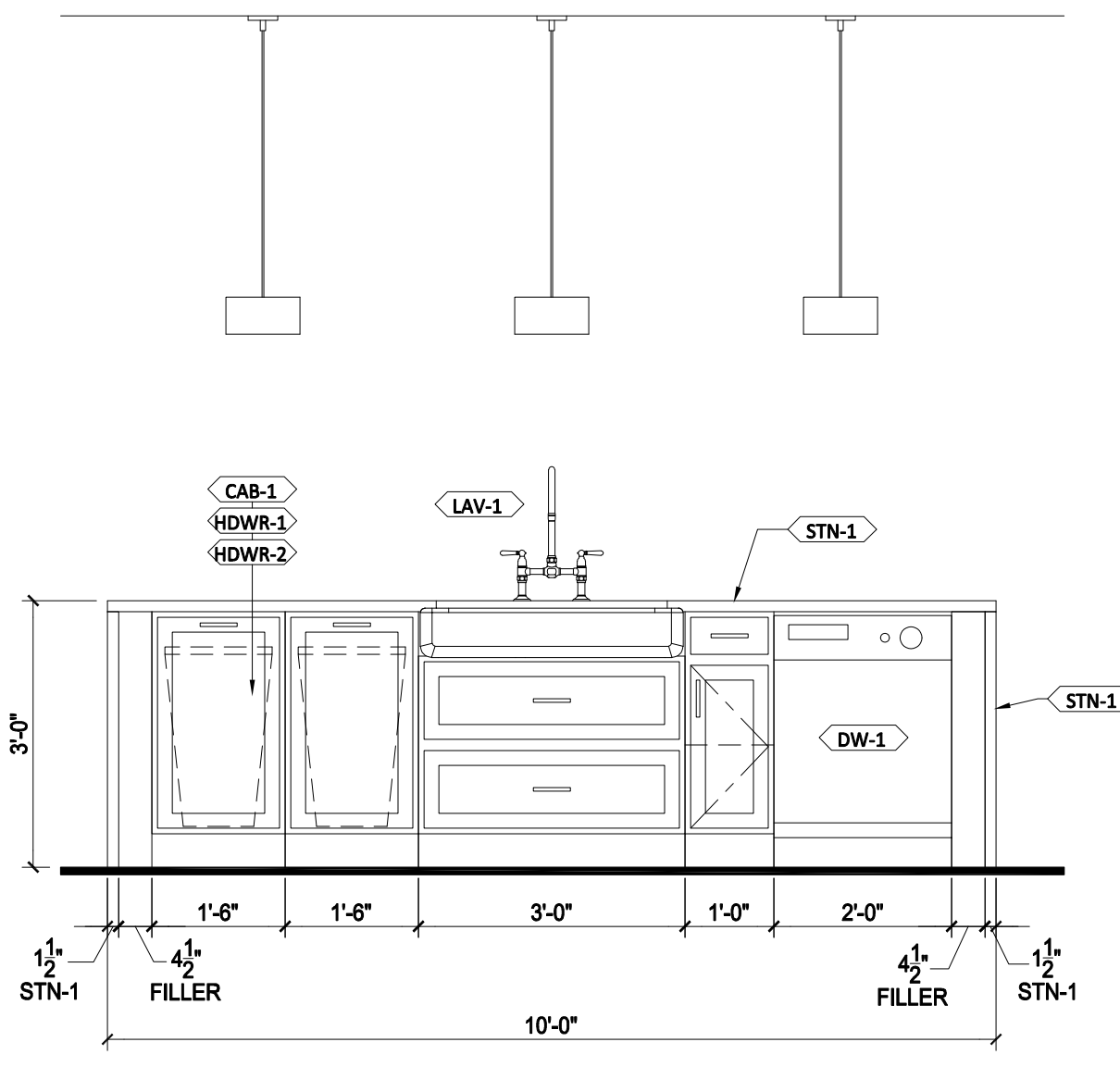
9 LAUNDRY ELEVATION - UNIT 308  
308-A3 1/2" = 1'-0"



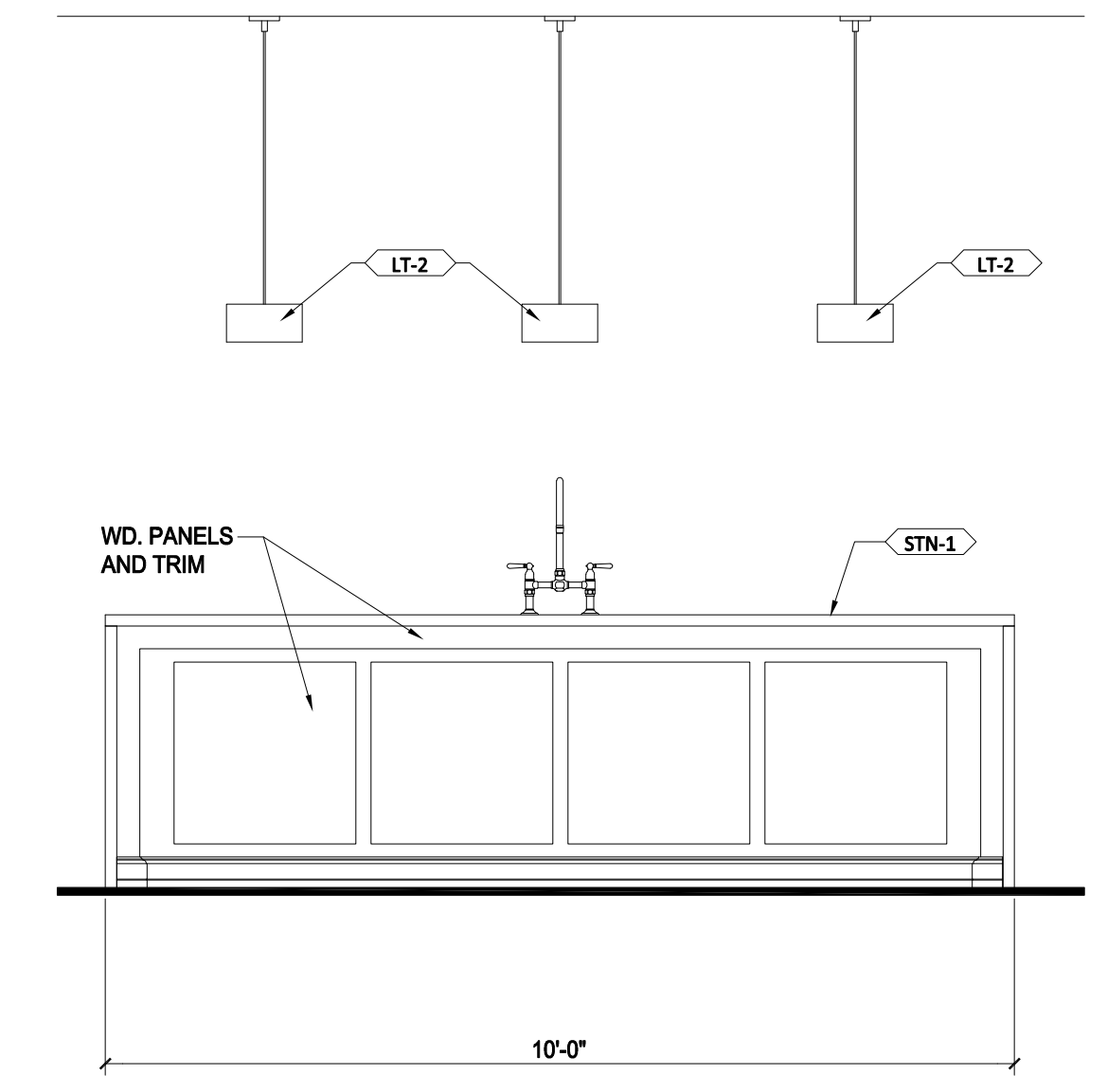
8 PANTRY ELEVATION - UNIT 308  
308-A3 1/2" = 1'-0"



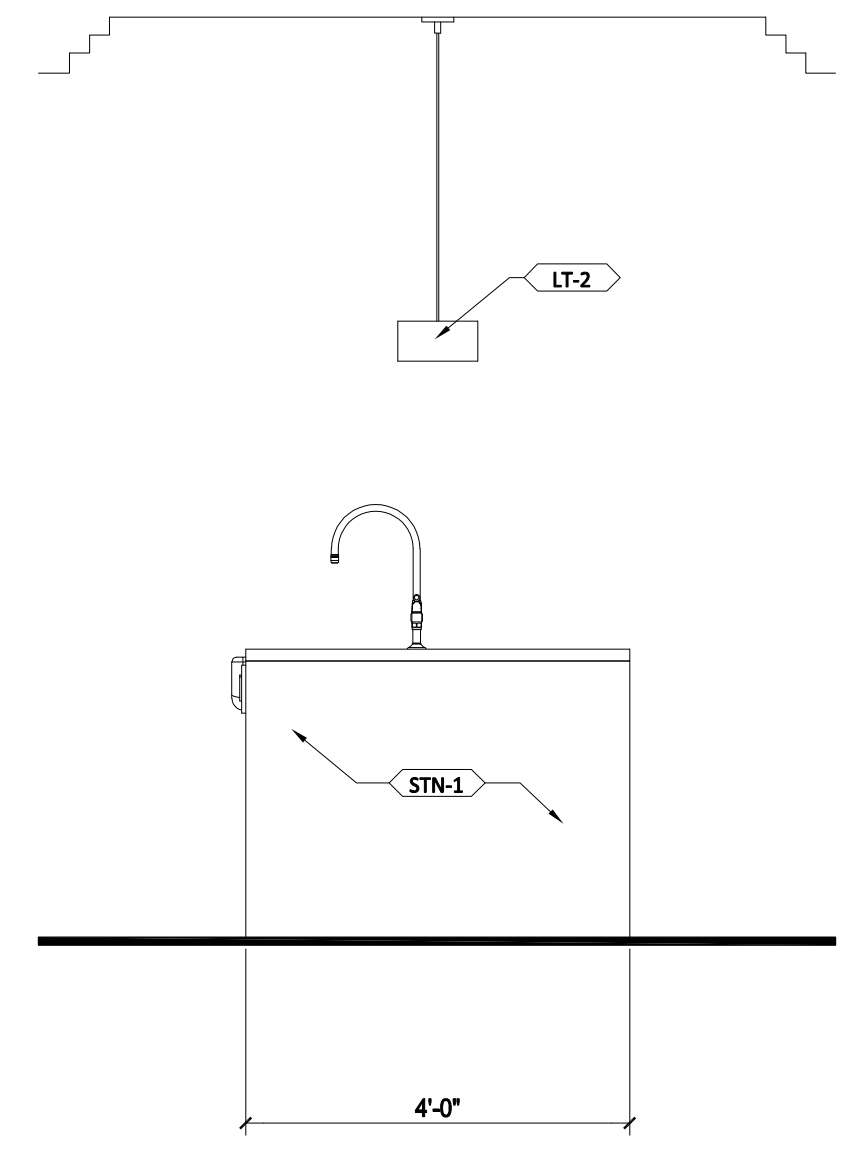
6 PANTRY ELEVATION - UNIT 308  
308-A3 1/2" = 1'-0"



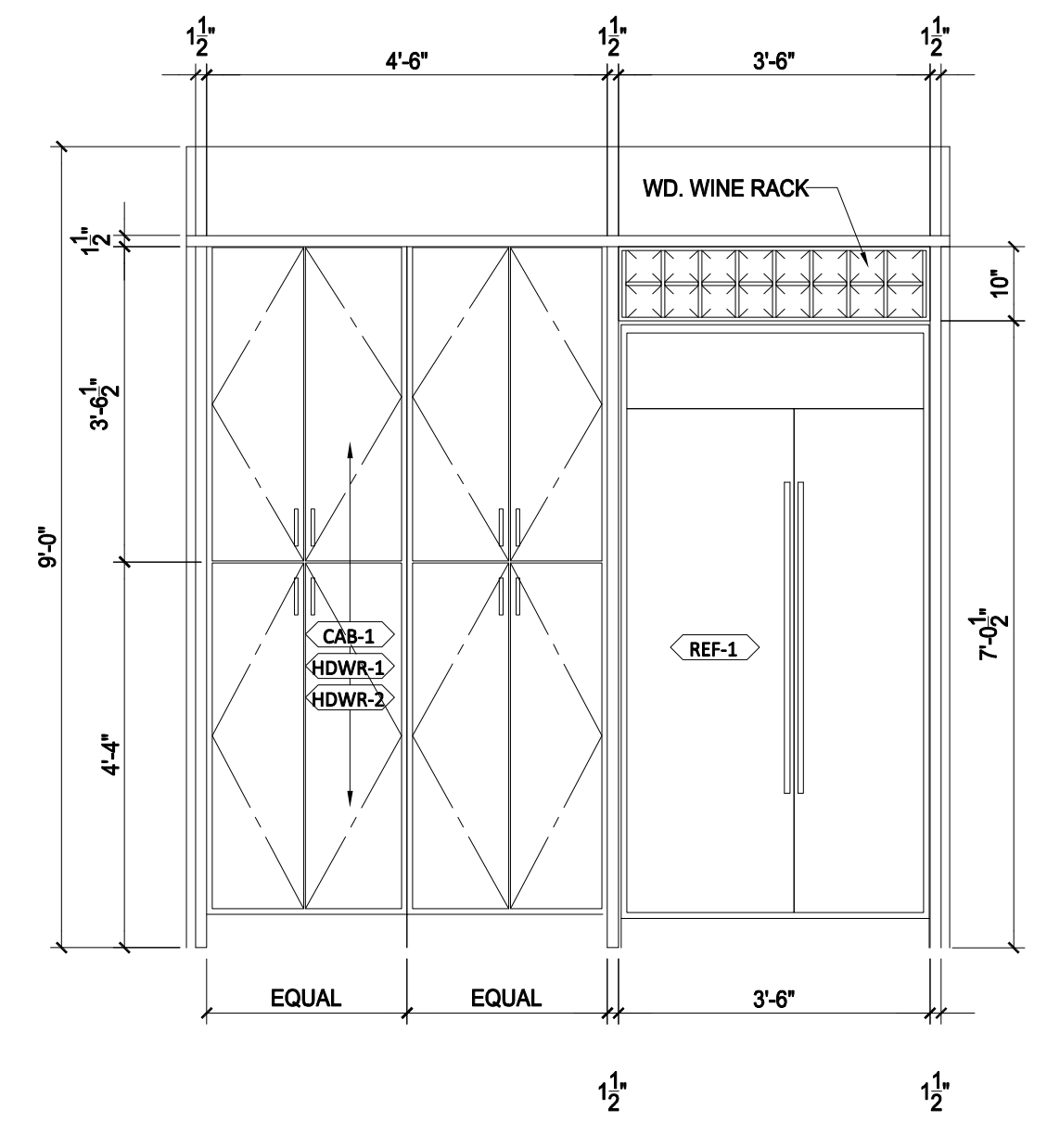
5 KITCHEN ISLAND ELEVATION - UNIT 308  
308-A3 1/2" = 1'-0"



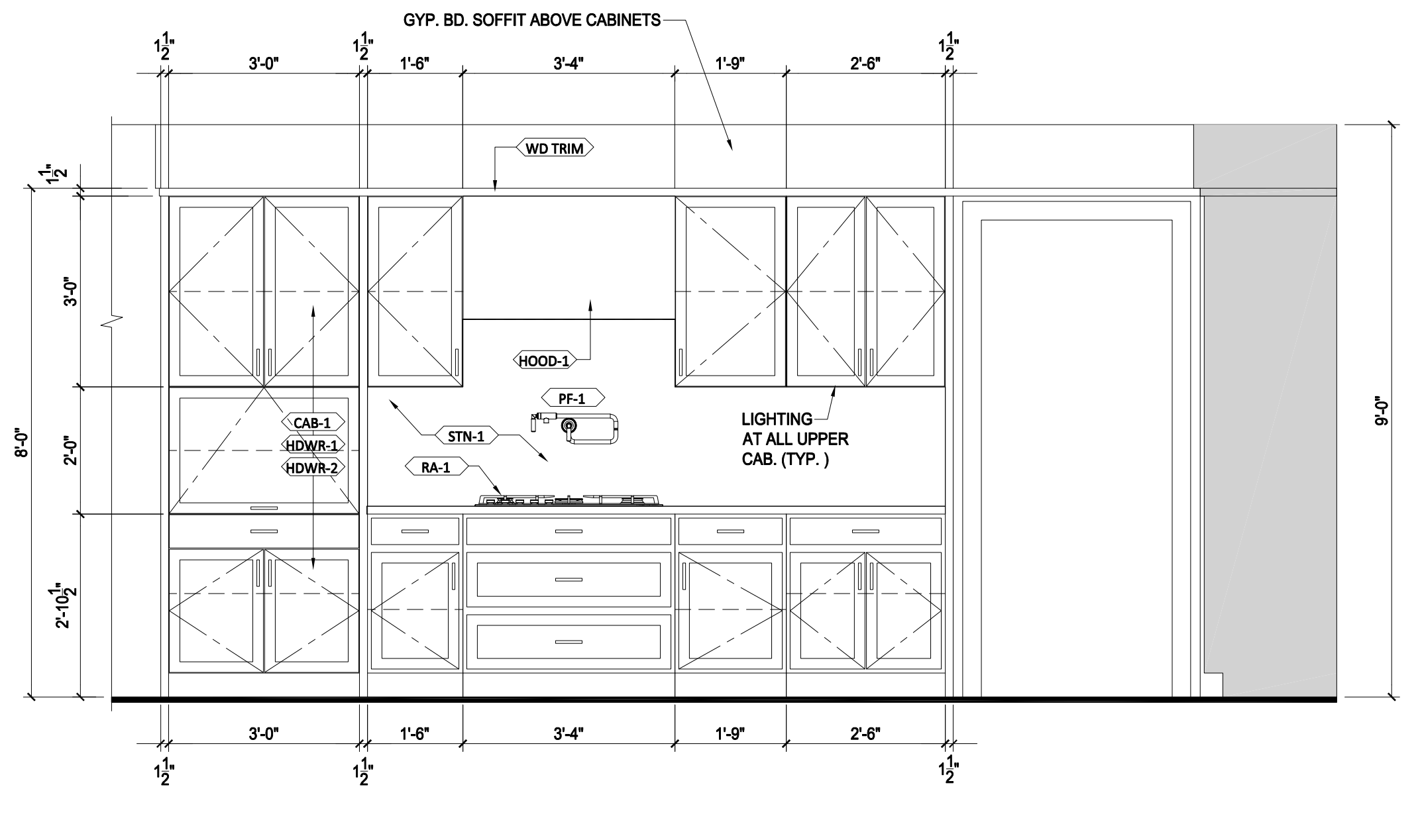
4 KITCHEN ISLAND ELEVATION - UNIT 308  
308-A3 1/2" = 1'-0"



3 KITCHEN ISLAND ELEVATION - UNIT 308  
308-A3 1/2" = 1'-0"



2 WET BAR ELEVATION - UNIT 308  
308-A3 1/2" = 1'-0"



1 KITCHEN ELEVATION - UNIT 308  
308-A3 1/2" = 1'-0"

ISSUED FOR  
PRICING

ORIGINAL ISSUE:  
DATE  
REVISIONS:  
No. Description Date

2024-1134  
PROJECT NUMBER  
AJ, JW, TG TG  
DRAWN BY CHECKED BY

WESTWAY CONDOMINIUMS

INTERIOR ELEVATIONS

**308-A3**